

BA-5367/U

Technical Datasheet



Technical Specifications	
Part No.	UB0006
NSN	6135-01-507-1135
Voltage Range	1.5 to 3.3V
Average Voltage	3.0V
Nominal Capacity	1.3Ah @ 50mA to 2.0V @ 23°C
Max. Discharge	380mA continuous
Pulse Capability	Up to 800mA Varies according to pulse characteristics, temperature, cell history and the application. Consult Ultralife.
Weight	22.0g
Operating Temperature	-40°C to 72°C
Storage Temperature	-40°C to 95°C
Exterior/Housing	Plastic sleeve
Terminals/Connector	Nickel plated contacts
Safety	Material Safety Datasheet - MSDS045 Safety Guide UBM-5135
Transportation	Excepted from regulations for packages with gross mass of 2.5kg or less (see note)
Export License	ITAR (International Traffic in Arms Regulations) export license required to export from U.S.
Harmonized Tariff Code	8506.50.0000
Note	A complete description of transportation regulations, lithium weights and transportation classifications is available on the Ultralife website.

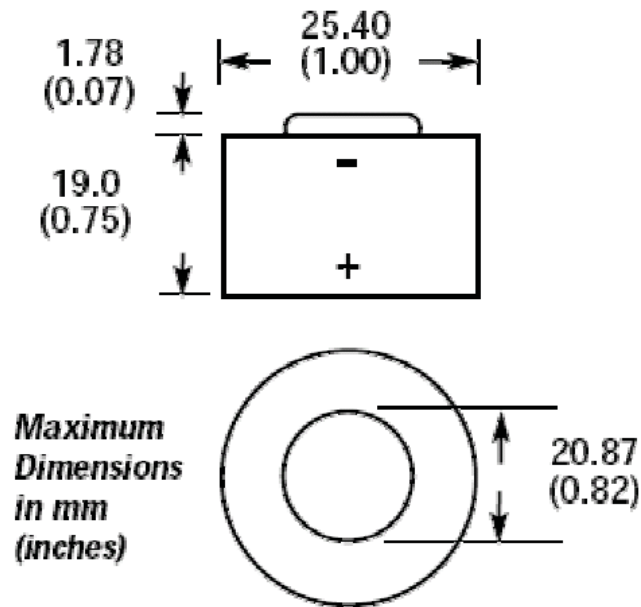
Features

- High energy density
- No voltage delay
- Wide operating temperature range
- Lightweight
- Up to 10-year shelf life
- Long operating life
- Cell is hermetically sealed Ni-plated steel can

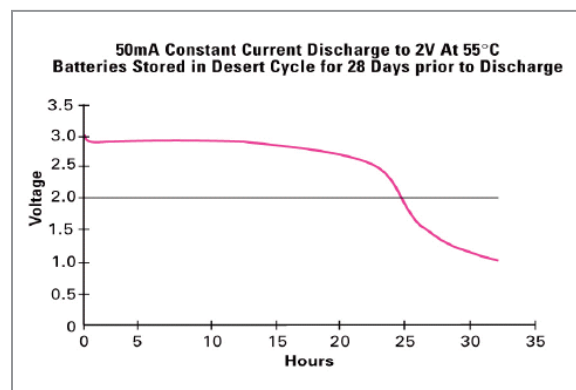
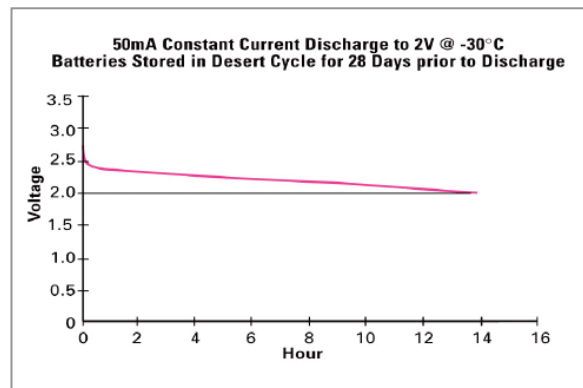
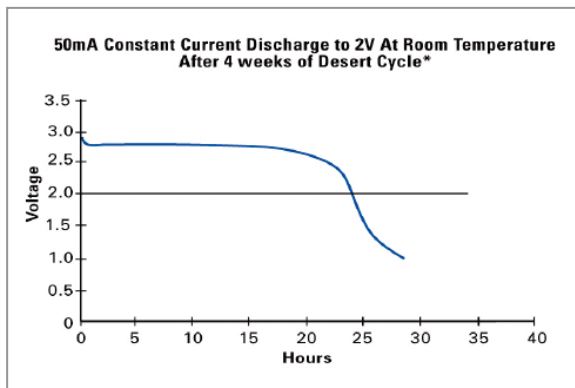
Applications

- Alternative for BA-5567/U (NSN: 6135-01-447-5082)
- Consumer telematics
- Commercial telematics
- Search & rescue devices
- Military Communications, detectors and imaging
- Medical devices

Dimensions



Performance Graphs



* Desert Cycle: 24 hour cycle between 35°C and 71°C