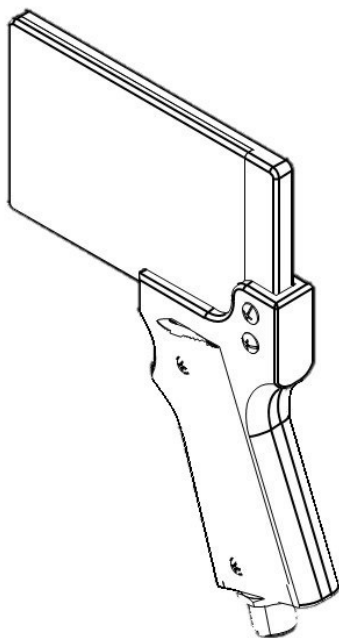


ACE Handle (Base Grip w/Type N Connector)

An accessory to the ACE Transmit and Receive Element that provides the user the ability to make the ACE a handheld directional antenna (Type N (F) connection).



Shown with ACE Transmit and Receive
Element Installed.
RRT Part Number 01-778-0014

Specifications:

Dimensions

Single Element

Weight: < .5 lb (> .25kg)

Height: 5.92 in (15.039 cm)

Width: 3.47 in (8.81 cm)

Thickness: 1.282 in (3.256 cm)

Antenna Connector: Type N (F)
(Standard*)

*Customers can request alternate connector types at an additional cost, please contact us for a quote.

Radio Reconnaissance Technologies, Inc.
3328 Bourbon Street
Fredericksburg, VA 22408
Phone: 540-752-7448
Fax: 540-752-7449

RRT Inc. is ISO 9001:2015 certified

RRT Part Number 01-778-0015-BN