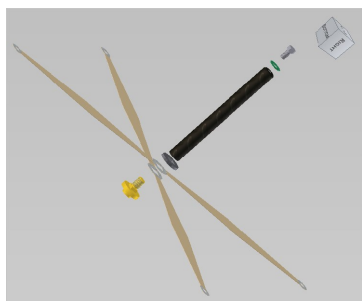
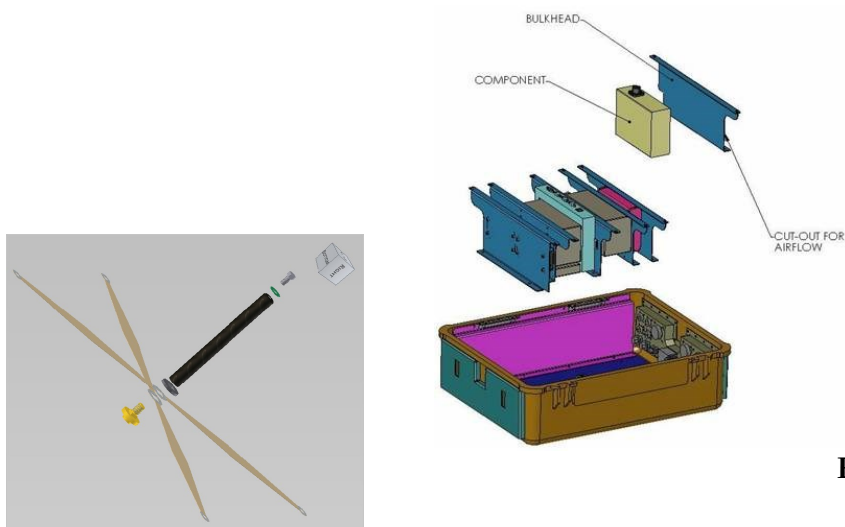
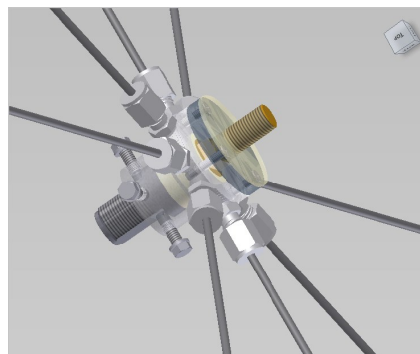


Engineering and Design Services

RRT Inc. is experienced in designing independent systems, systems integrations, aluminum and plastic mounts and brackets. Our designers are involved from project concept through completion. Regular design reviews are carried out to ensure products are developed to their full potential and to customer specification, using readily available parts. RRT Inc. offers in house Mechanical Design, Electronic Design and PCB Layout utilizing industry standard software including 3D design capability. Our dedicated teams of technicians carry out assembly and development of equipment on our site. We utilize our full on site Machine Shop facilities to ensure short lead-times and high standards. RRT, Inc. services include; CNC machining, milling, turning, welding and fabrication, enabling all types of machining to be accommodated including repairs or modifications.



Radio Reconnaissance Technologies, Inc.
3328 Bourbon Street
Fredericksburg, VA 22408
Phone: 540-752-7448
Fax: 540-752-7449
RRT Inc. is ISO 9001:2015 certified